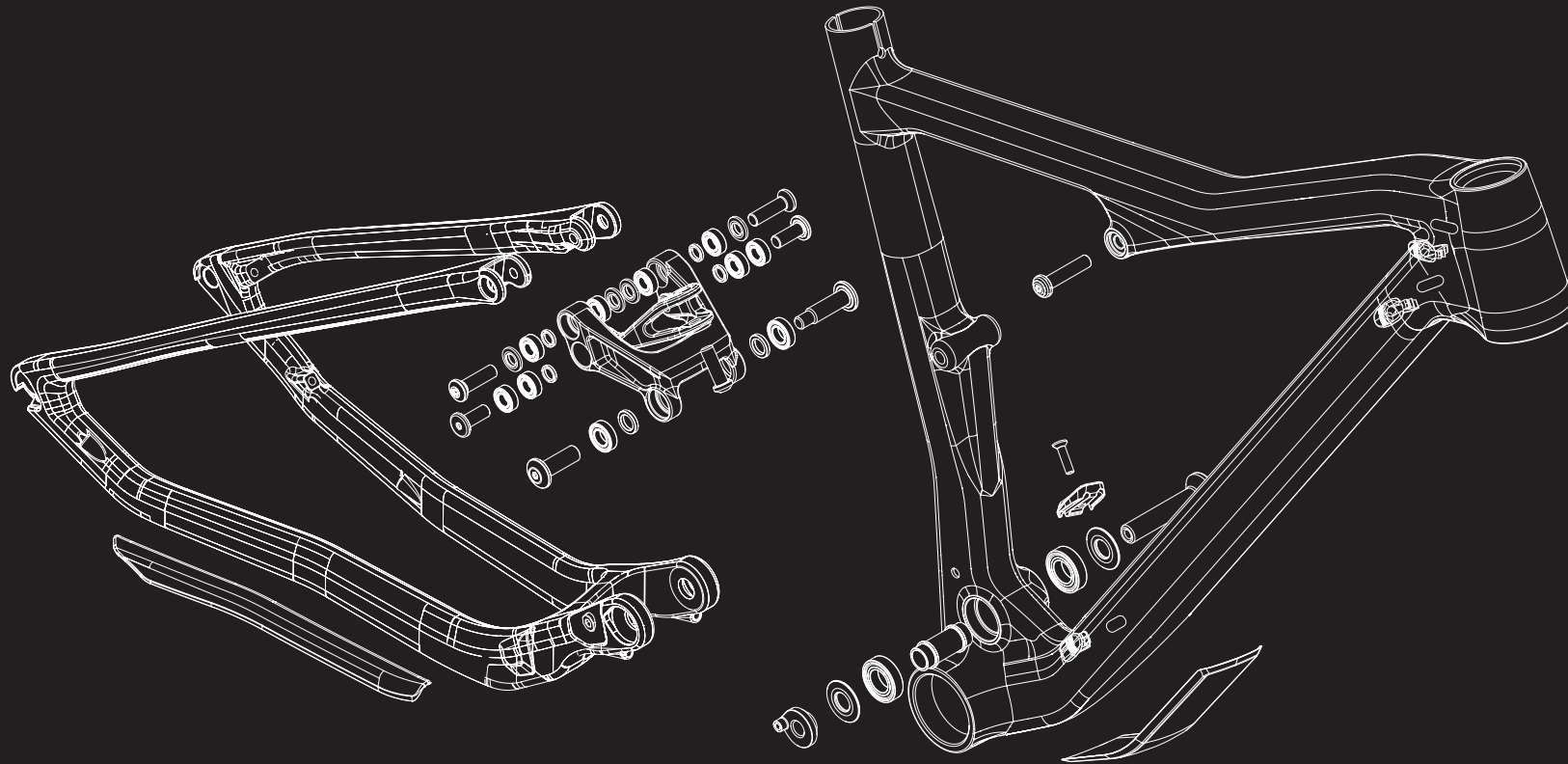


ROSE



ANY QUESTIONS?

technik@rosebikes.com

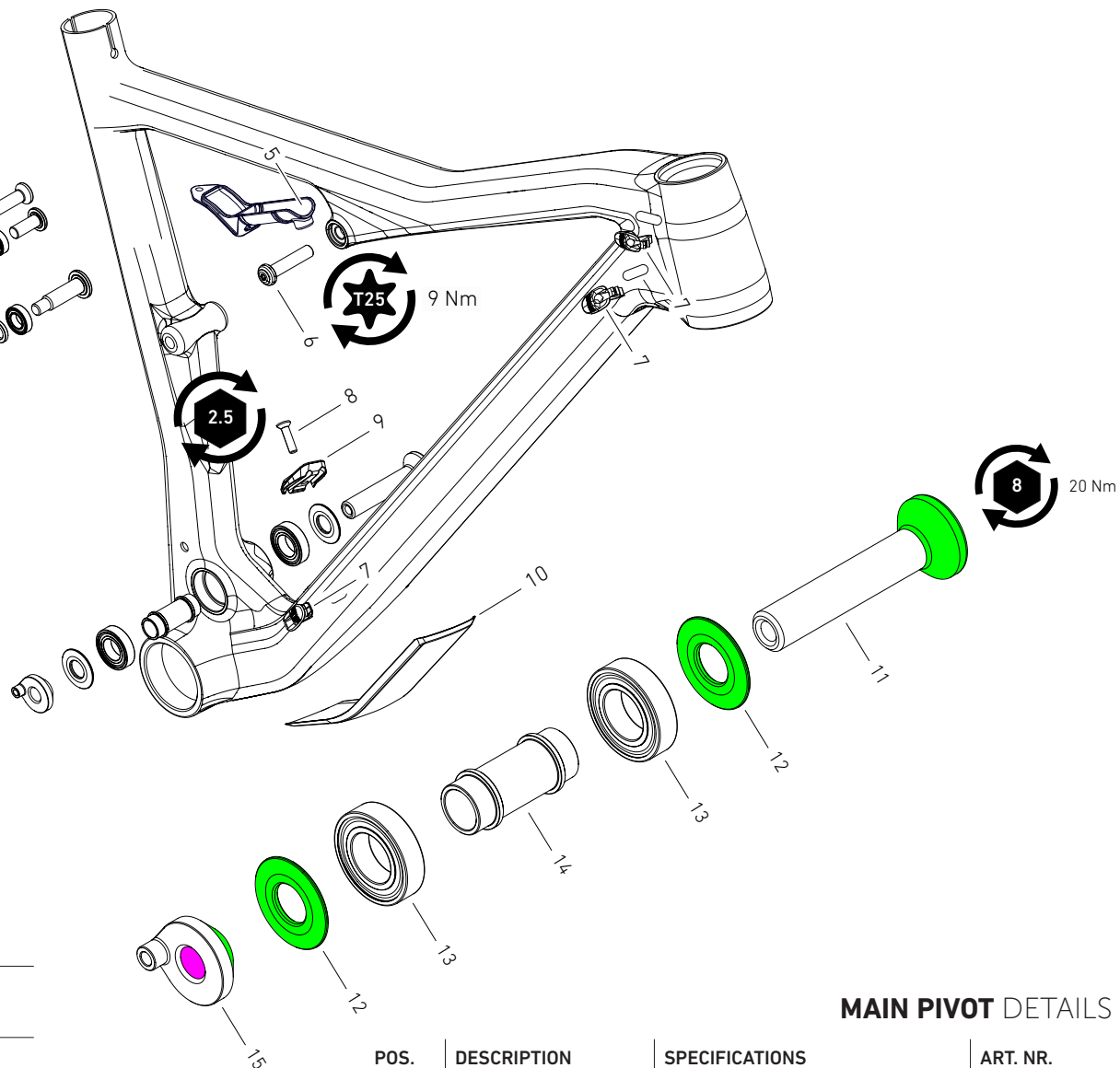
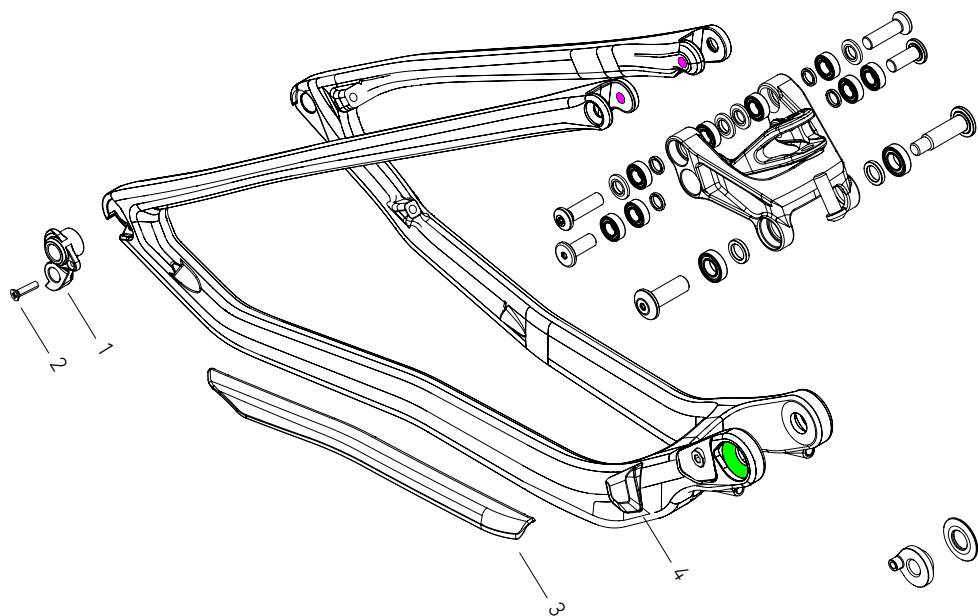
ROSE Bikes GmbH
Schersweide 4
46395 Bocholt, Germany

THRILL^{HILL}

FRAME DETAILS
MODELYEAR 2019

THRILL^{HILL}

FRAME DETAILS



MAIN FRAME DETAILS

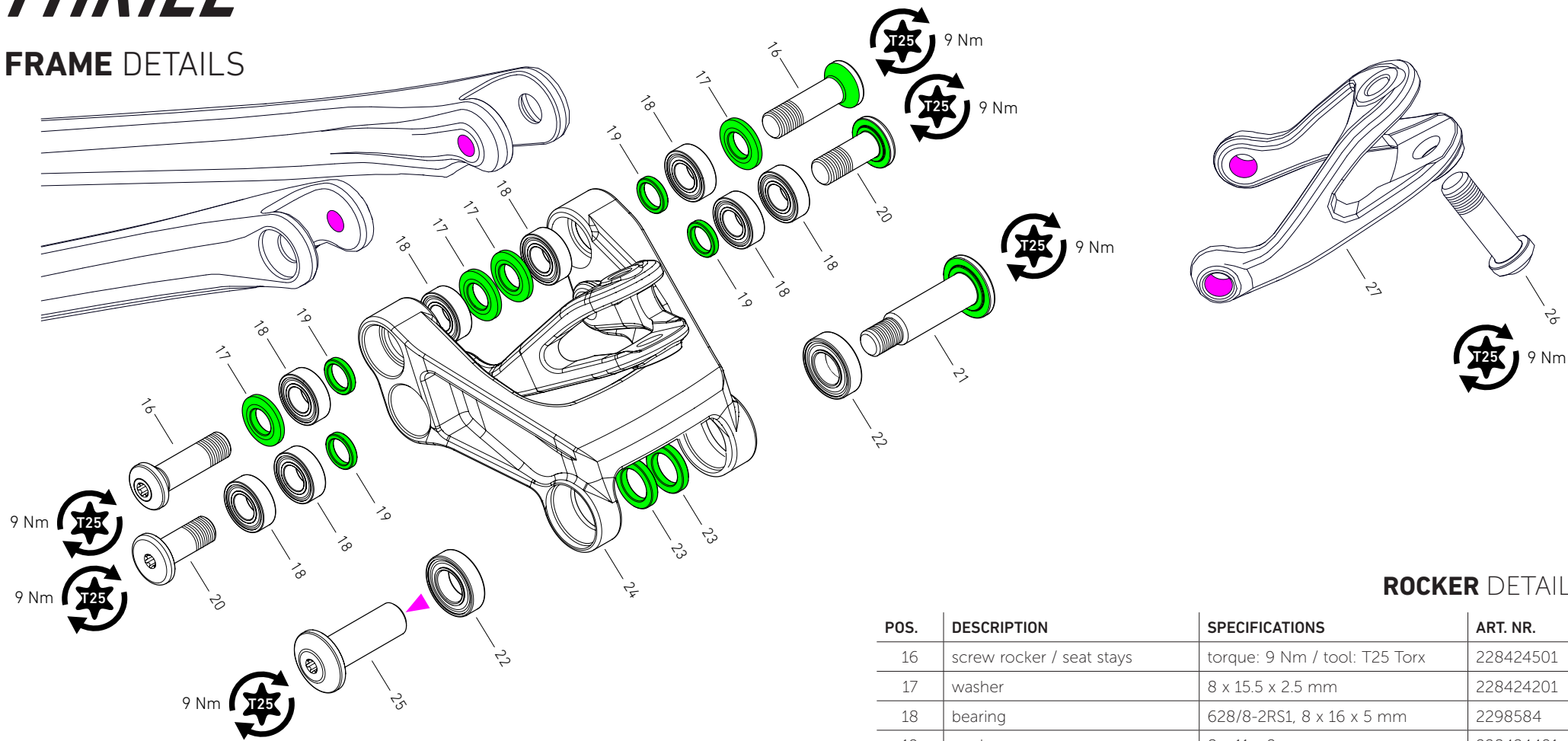
POS.	DESCRIPTION	SPECIFICATIONS	ART. NR.
1	derailleur hanger	ROSE Nr. 37	225194101
2	fixing screw derailleur hanger		
3	frame protector chainstay		228690001
4	cover low direct mount FD		228703701
5	cover TT		227047301
6	screw frame / shock	torque: 9 Nm / tool: T25 Torx	228423101
7	cable guide	open	2170039
		closed	2054944
8	fixing screw cable guide	tool: 2.5 mm hex	227047601
9	cable guide down tube		
10	frame protector down tube		228694701

MAIN PIVOT DETAILS

POS.	DESCRIPTION	SPECIFICATIONS	ART. NR.
11	screw main pivot	torque: 20 Nm / tool: 8 mm hex	228423401
12	washer	12 x 27.5 x 2 mm	228423501
13	bearing (main pivot)	61902-2RS1, 15 x 28 x 7 mm	2298580
14	sleeve main pivot		228423601
15	conical nut		228423301
	GREASE	DYNAMIC GALLI BEARING 100 g	49217800
		DYNAMIC GALLI BEARING 400 g	49217900
	THREADLOCKER	mid strength, for example Art. Nr. 1322431	

THRILL^{HILL}

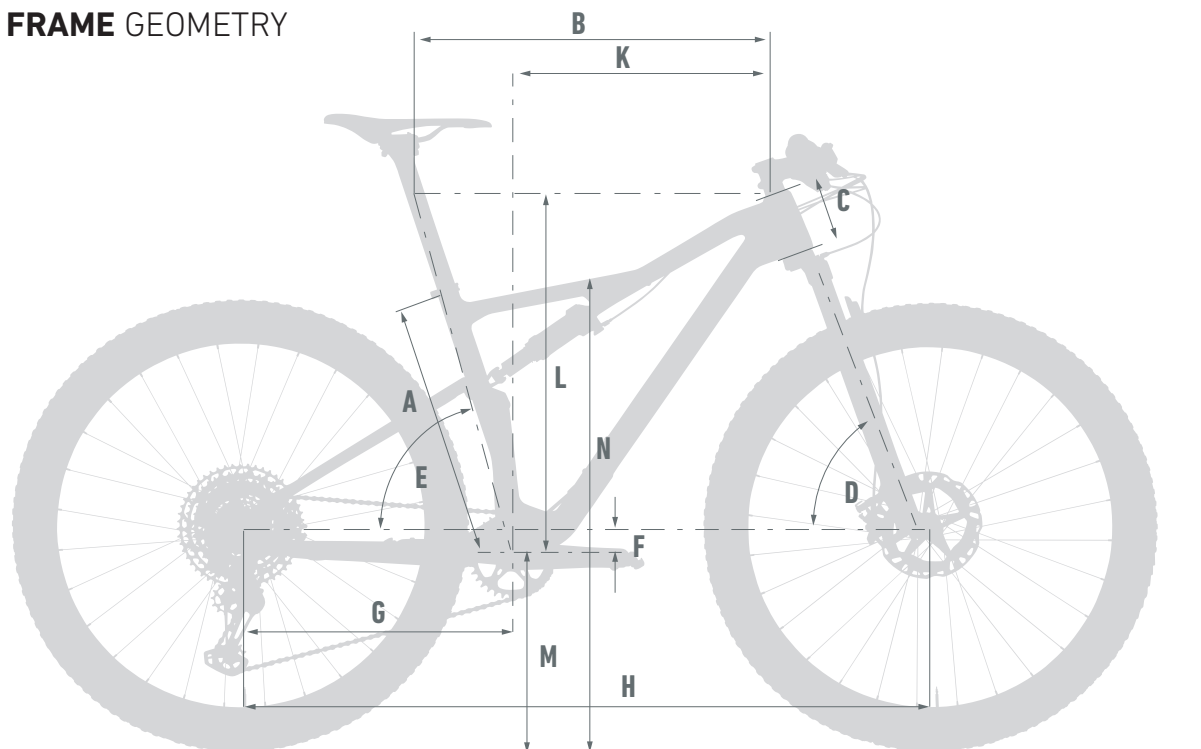
FRAME DETAILS



ROCKER DETAILS

POS.	DESCRIPTION	SPECIFICATIONS	ART. NR.
16	screw rocker / seat stays	torque: 9 Nm / tool: T25 Torx	228424501
17	washer	8 x 15.5 x 2.5 mm	228424201
18	bearing	628/8-2RS1, 8 x 16 x 5 mm	2298584
19	washer	8 x 11 x 2 mm	228424401
20	screw rocker / shock extension	torque: 9 Nm / tool: T25 Torx	228424101
21	screw rocker / frame	torque: 9 Nm / tool: T25 Torx	228424001
22	bearing rocker / frame	61800-2RS1, 10 x 19 x 5 mm	2298583
23	washer	10 x 15 x 2.5 mm	228423201
24	rocker		228424301
25	threaded sleeve rocker / frame	torque: 9 Nm / tool: T25 Torx	228423901
26	screw shock extension / shock	torque: 9 Nm / tool: T25 Torx	228423801
27	shock extension		228423701
	GREASE	DYNAMIC GALLI BEARING 100 g	49217800
		DYNAMIC GALLI BEARING 400 g	49217900
	THREADLOCKER	mid strength, for example Art. Nr. 1322431	

FRAME GEOMETRY



FRAME INTERFACES

BOTTOM BRACKET	PressFit30
HEADSET	IS42 / 48 Acros AiX-333 headset, Art. Nr. 226072701
REAR WHEEL AXLE	length: 180 mm, M12 x 1.75, thread length: 20 mm e.g. DT Swiss RWS Boost Plug In axle, Art. Nr. 2269801
SHOCK LENGTH X STROKE	190 x 40
SHOCK HARDWARE	Ø8 x 25 mm / Ø8 x 15 mm
REAR BRAKE MOUNT	PM 160
Ø SEAT TUBE	31.6 mm
Ø SEAT POST CLAMP	36 mm e.g. ROSE seat post clamp, Art. Nr. 226113801
MAX. TIRE WIDTH	2.3"
WHEEL SIZE	29"
MAX. CHAINRING SIZE	36 T
FD MOUNT	low direct mount
REAR HUB SPACING	Boost 12 x 148 mm

MAX SYSTEM WEIGHT (RIDER + BICYCLE + CLOTHING + GEAR + LUGGAGE): 120 KG

		fork length 506 mm / fork travel 100 mm				fork length 521 mm / fork travel 120 mm			
		SIZE S	SIZE M	SIZE L	SIZE XL	SIZE S	SIZE M	SIZE L	SIZE XL
SEAT TUBE LENGTH	A	422 mm	450 mm	480 mm	510 mm	422 mm	450 mm	480 mm	510 mm
TOP TUBE LENGTH	B	574 mm	594 mm	625 mm	650 mm	577 mm	597 mm	628 mm	653 mm
HEAD TUBE LENGTH	C	100 mm		110 mm	120 mm	100 mm		110 mm	mm 120
HEAD ANGLE	D	69.5°				68.6°			
SEAT ANGLE	E	74.5°				73.6°			
BB DROP	F	-42 mm				-35 mm			
CHAIN STAY LENGTH	G	439 mm				440 mm			
WHEEL BASE	H	1109 mm	1129 mm	1161 mm	1187 mm	1106 mm	1126 mm	1158 mm	1184 mm
REACH	K	410 mm	430 mm	458 mm	480 mm	400 mm	421 mm	449 mm	472 mm
STACK	L	593 mm		602 mm	611 mm	599 mm		608 mm	618 mm
BB HEIGHT	M	330.5 mm				337 mm			
STANDOVER HEIGHT	N	778 mm		781 mm	782 mm	788 mm		790 mm	800 mm
TRAVEL REAR		100 mm				100 mm			